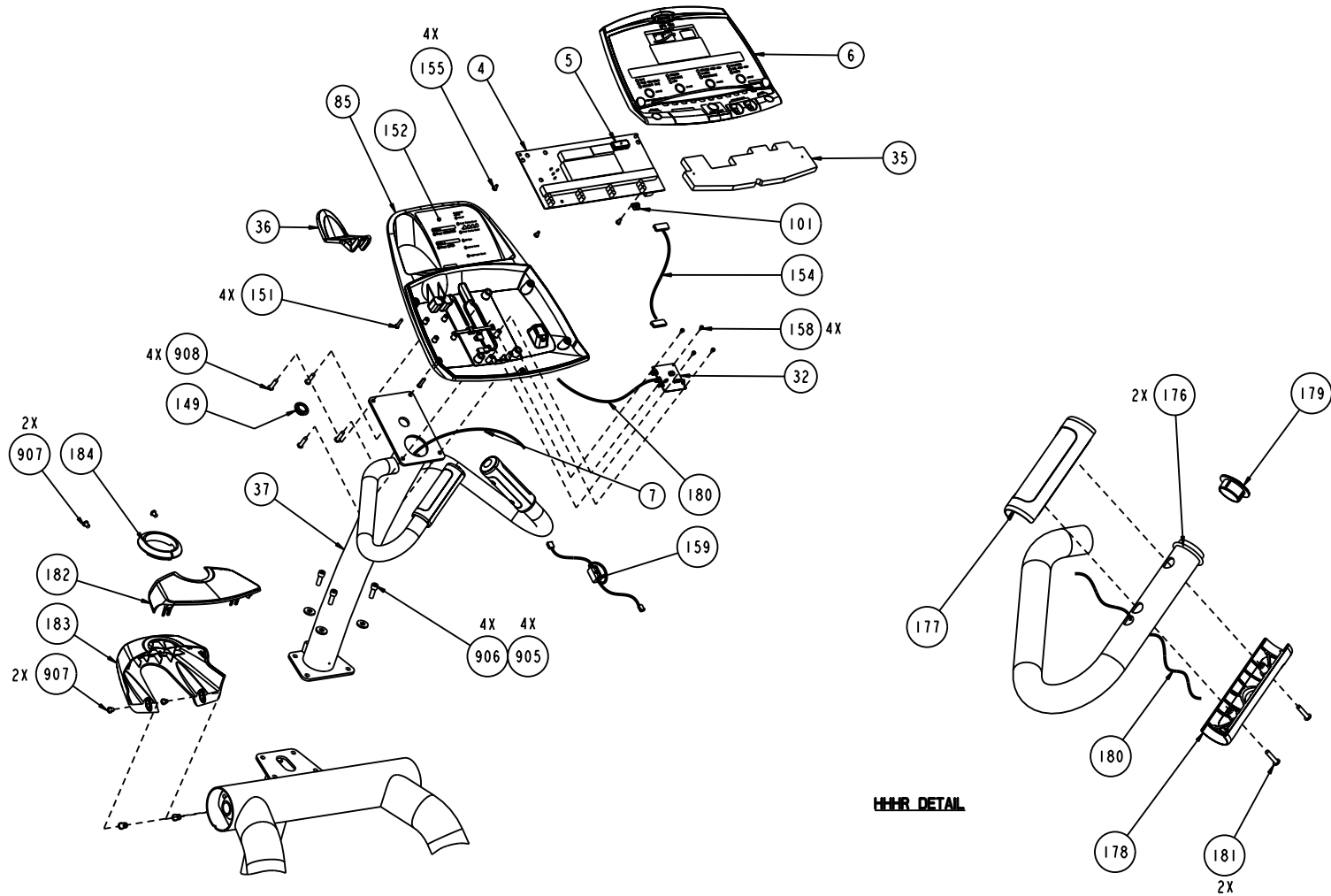
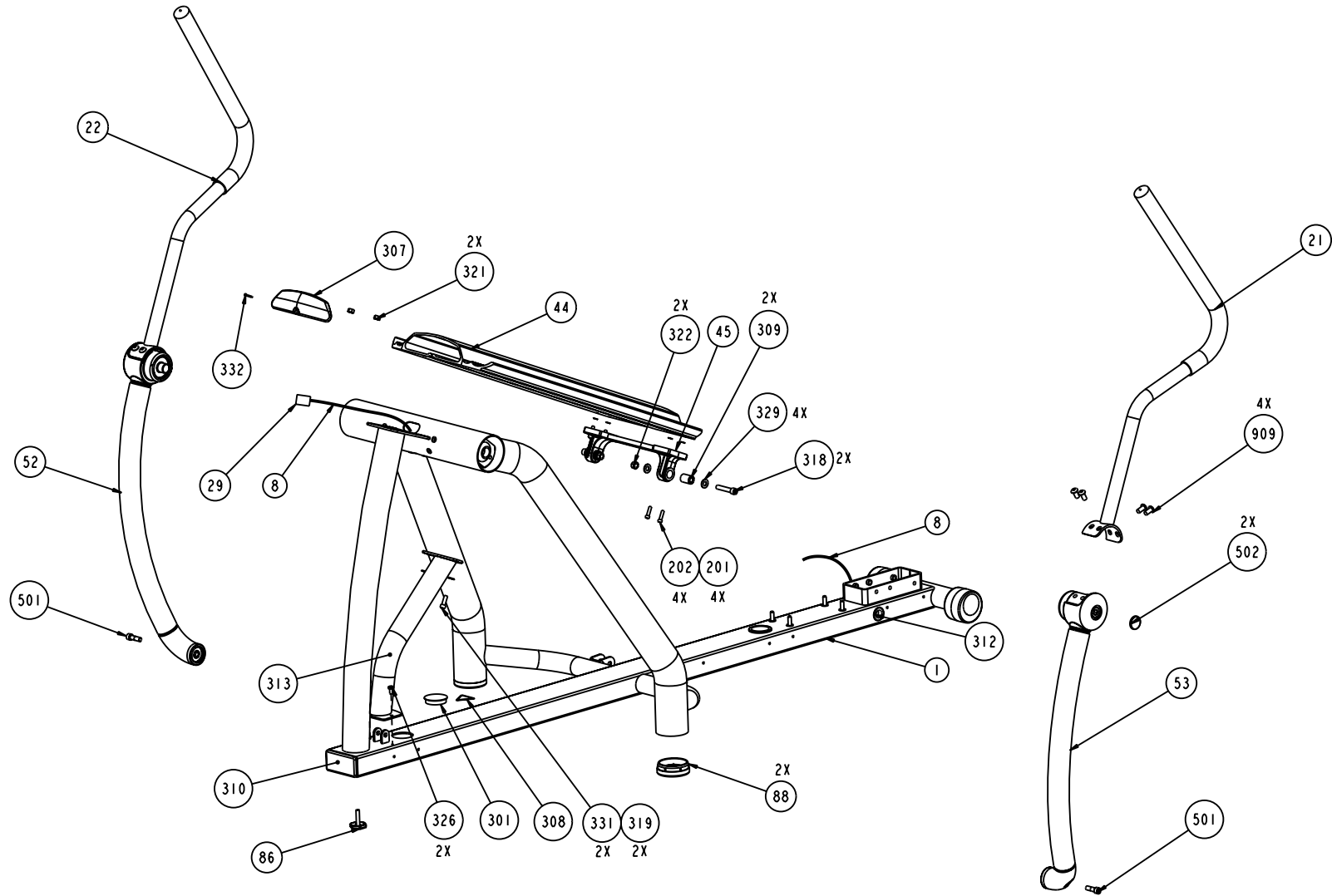


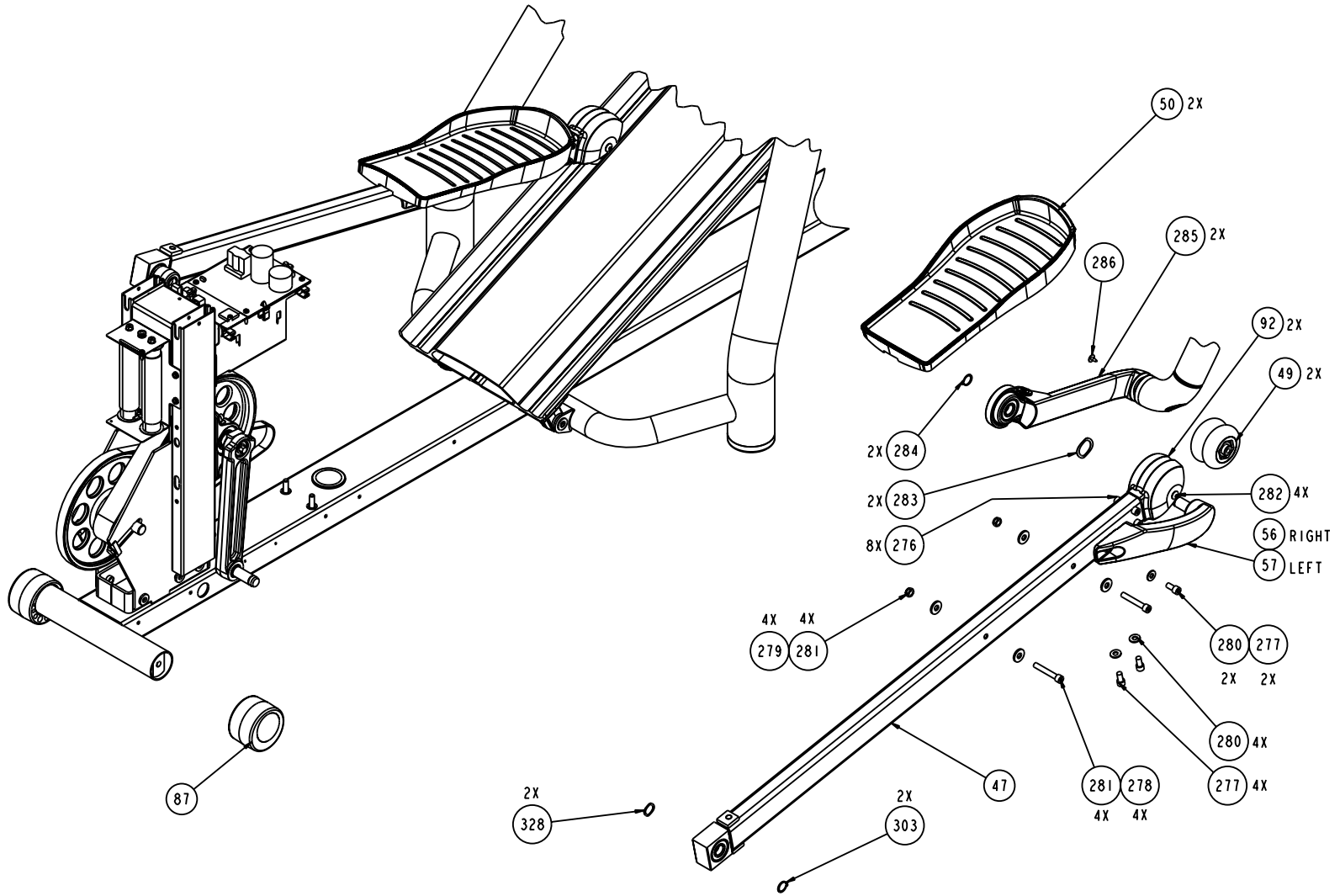
C556 SELF POWERED	P/N 44957-101	REV: T01
DRAWN BY: M.HAMILTON	DATE: 12.03.04	SHEET 1 OF 7



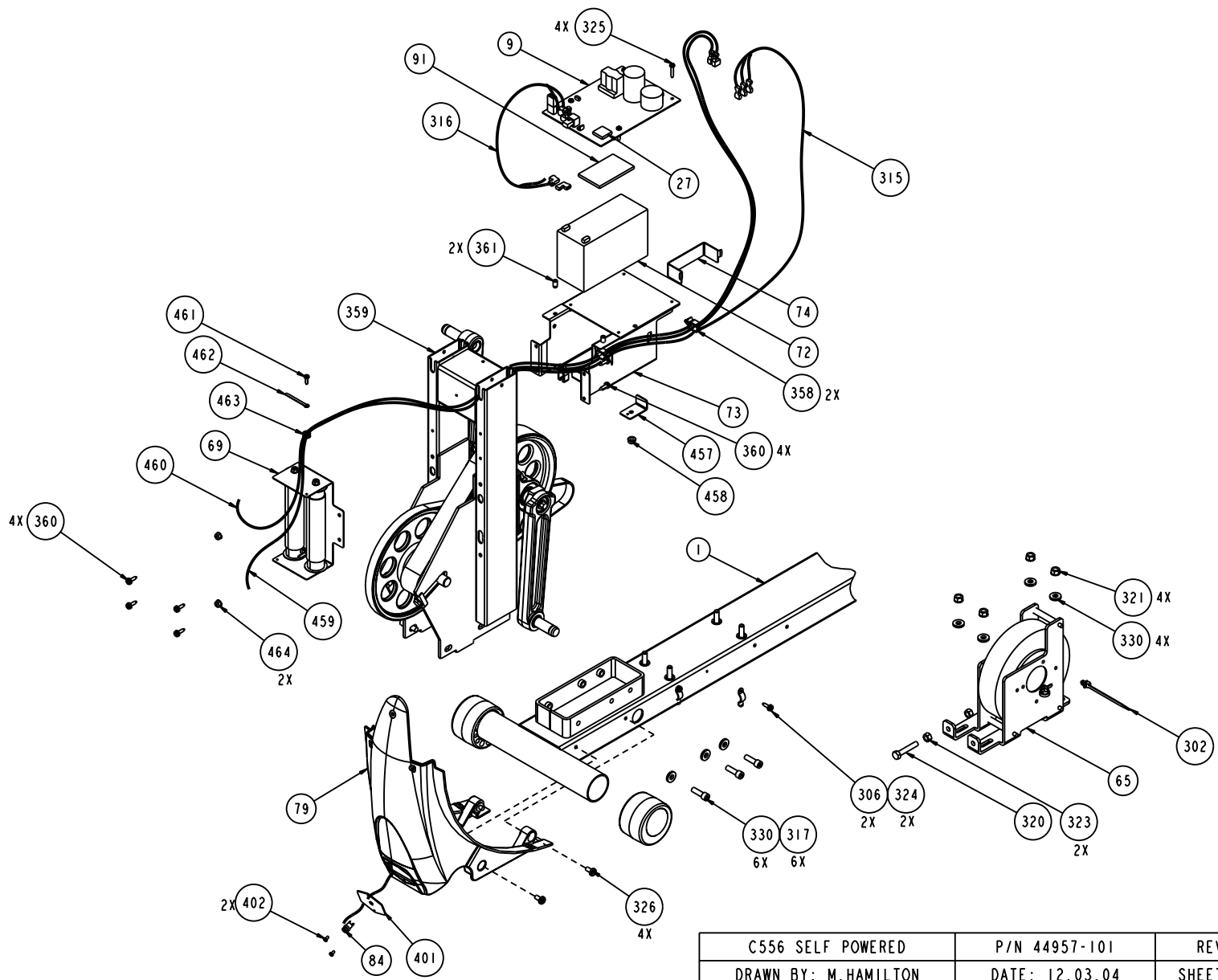
C556 SELF POWERED	P/N 44957-101	REV: T01
DRAWN BY: M.HAMILTON	DATE: 12.03.04	SHEET 2 OF 7



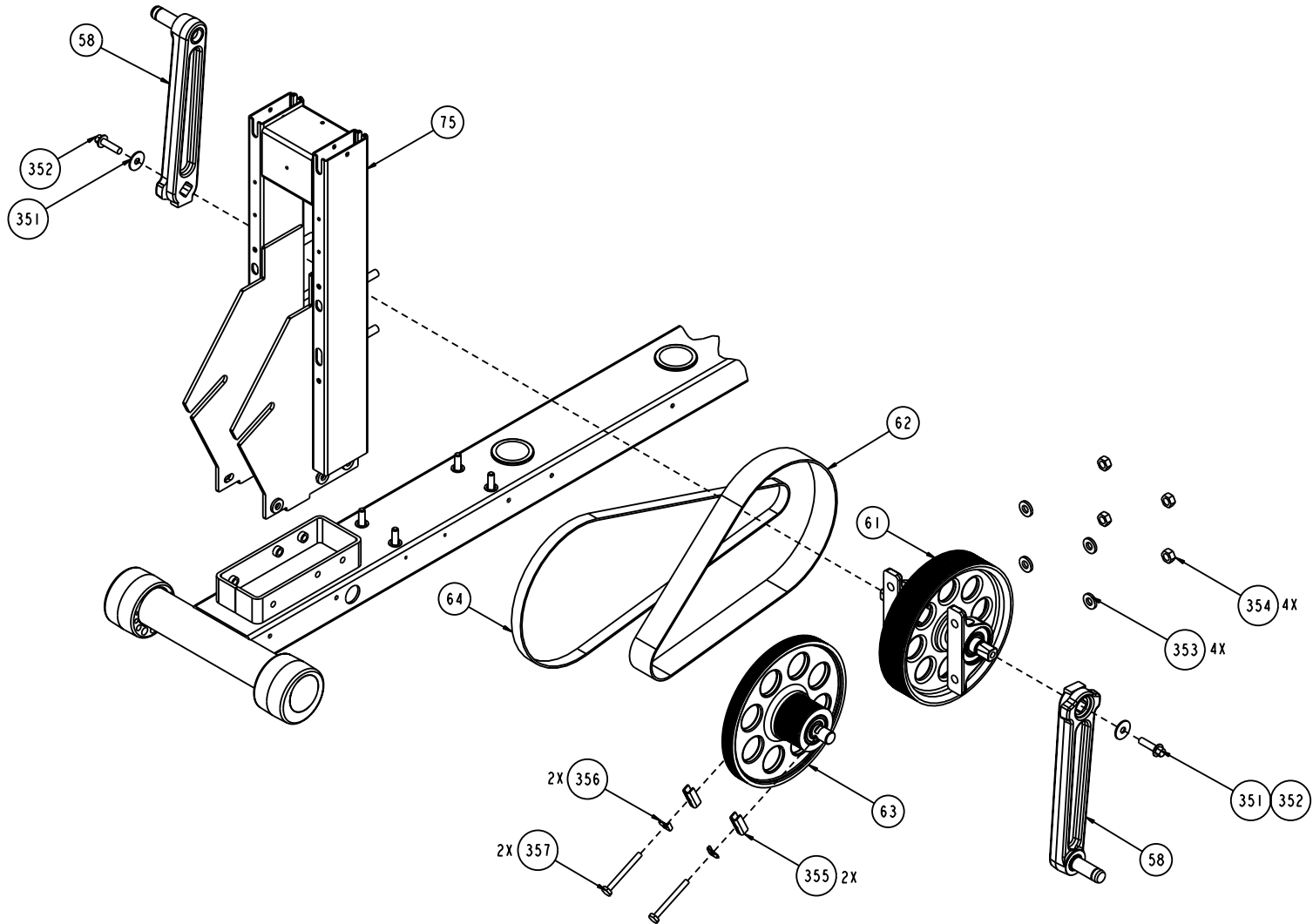
C556 SELF POWERED	P/N 44957-101	REV: T01
DRAWN BY: M.HAMILTON	DATE: 12.03.04	SHEET 3 OF 7



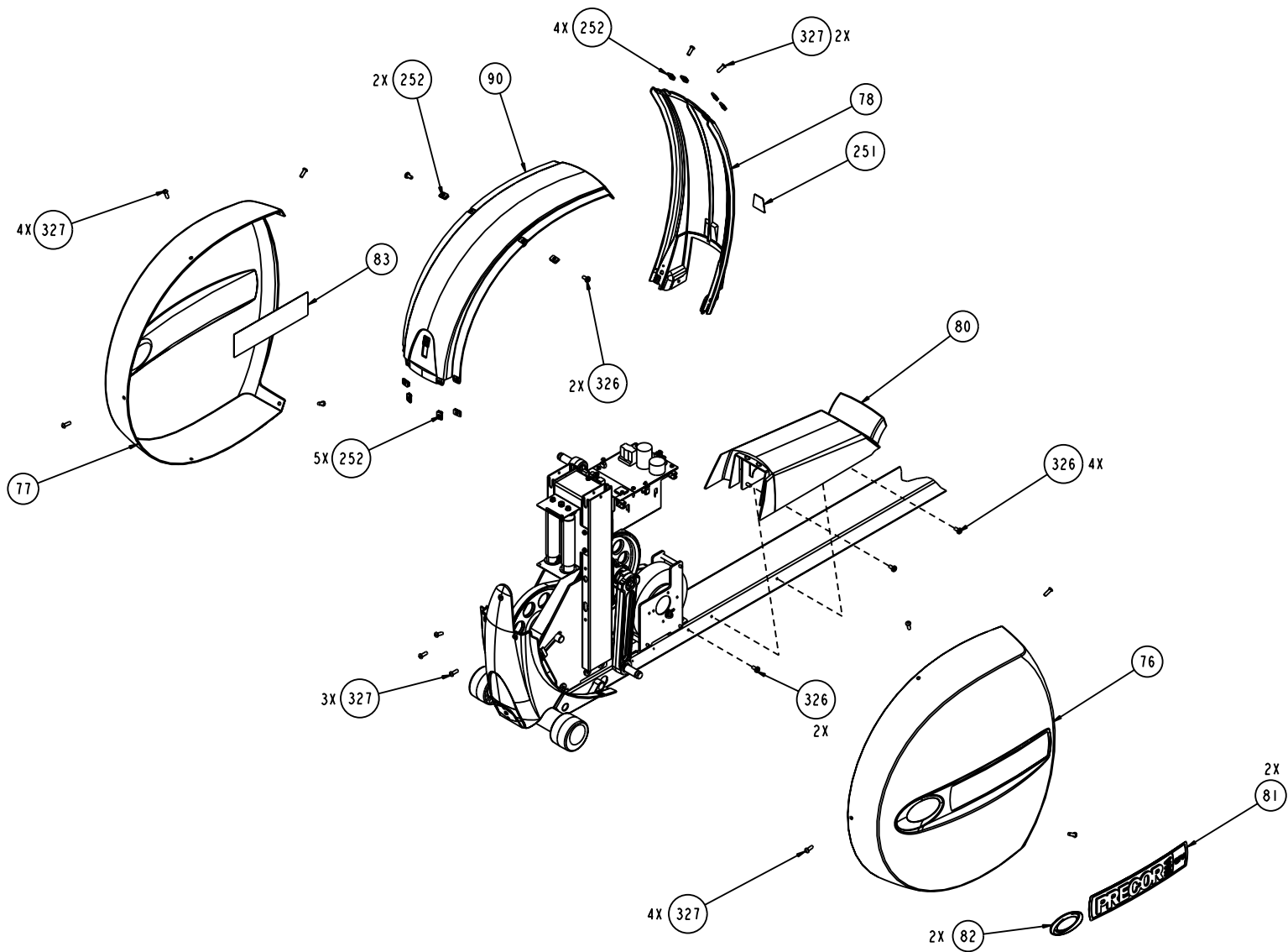
C556 SELF POWERED	P/N 44957-101	REV: T01
DRAWN BY: M.HAMILTON	DATE: 12.03.04	SHEET 4 OF 7



C556 SELF POWERED	P/N 44957-101	REV: T01
DRAWN BY: M.HAMILTON	DATE: 12.03.04	SHEET 5 OF 7



C556 SELF POWERED	P/N 44957-101	REV: T01
DRAWN BY: M.HAMILTON	DATE: 12.03.04	SHEET 6 OF 7



C556 SELF POWERED	P/N 44957-101	REV: T01
DRAWN BY: M.HAMILTON	DATE: 12.03.04	SHEET 7 OF 7

C556 (self powered) (serial code I2, I3, JE)

Part Number	Description	Bubble Number
43770-105	WELDMENT, FRAME, 5X6, PT	1
39006-502	PCA,DISPLAY,C2	4
45065-103	ASSY,PCA&SW,C556,SELF PWR,UPR	4.01
44939-204	PROM, PGMD,C556, SELF PWR,UPR,V2.04	5
43699-511	ASSY,DISPLAY,LABEL,EN,556,LARGE KEY	6
44905-036	ASSY,CBL,MOD,8P8C,1-1,36"	7
44905-132	ASSY,CBL,MOD,8P8C,1-1,132"	8
44306-513	PCA,EFX,SELF PWR,LWR,WO/LIFT	9
45600-522	PCA, EFX SELF POWER, 3-PHASE, WO/LI	9
45064-111	ASSY, LOWER PCA & SW, SELF POWER EF	9.01
43158-101	ASSY,UPPER HANDLEBAR,LEFT	21
43158-102	ASSY,UPPER HANDLEBAR,RIGHT	22
45115-205	CPU,PGMD,EFX,SELF PWR,LWR,WO/LIFT,V	27
45115-211	CPU, PGMD, EFX, SELF POWER 3-PHASE,	27
11415-102	COUPLER,MOD,8P8C,INLINE,SNAP-IN	29
43579-106	BOARD, CHR & WIRELESS/CONTACT PRIOR	32
44411-102	TOUCHSENSOR SHIELD,23-KEY,T2/C2/T3/	35
43329-102	WIRE FORM,PLASTIC,COMMERCIAL	36
43572-203	WELDMENT, FRAME, UPPER, HHR, PAINT	37
43791-103	ASSEMBLY, RAMP, C556	44
45858-101	ASSY, PIVOT BLOCK ONE PIECE C5X6	45
50584-101	COMMERCIAL EFX RAMP PIVOT RELACEMEN	45.01
50571-103	KIT,ASSY, RAIL ARM PIVOT,C556	47
46875-102	ASSY, STAIRARM WHEEL OVERMOLD, BLAC	49
50578-102	ASSY, STAIRARM WHEEL, LARGE BEARING	49
50588-102	EFX WHEEL & COVER REPLACEMENT KIT	49.01
37314-108	PEDAL, FOOT	50
44774-102	ASSY. MAIN PIVOT, RIGHT	52
44774-101	ASSY. MAIN PIVOT, LEFT	53
43240-102	ASSEMBLY, ARM, CONNECTOR, RIGH	56
43240-101	ASSEMBLY, ARM, CONNECTOR, LEFT	57
50582-101	C546, C556 CRANKARM REPLACEMENT KIT	58.01
44947-101	ASSEMBLY, DRIVE INPUT,SP EFX	61
10217-133	BELT, DRIVE, 340J16 POLY V	62
44944-101	ASSY,STEP-UP PULLEY,SP,EFX	63
10217-121	BELT, POLY-V, 44 , 440J6	64
44739-103	ASSEMBLY,SP,GENERATOR	65
11437-020	RES,PWR,20 OHMS,300W,10%,	67
39700-101	ASSEMBLY, RESISTOR, 240W	69
45907-101	BRACKET, RESISTOR SUPPORT,EFX	69
44952-103	CLIP,RESISTOR,SELF POWERED EFX	71
45970-101	ASSY, BATTERY W/CABLE,SLA,12V,7AH,.	72
44479-101	ASSY, FRONT PANEL, EFX COVER, REAR	73
45908-105	BRACKET, BATTERY, LARGE, SELF POWER	73
43159-105	ASSY, MAIN PIVOT, LEFT	74
45909-101	SPACER, BATTERY BRACKET, SELF-POWER	74
43159-106	ASSY,MAIN PIVOT, RIGHT	75
44940-101	ASSY,DRIVE WELDMT,SP EFX	75
44527-106	ASSY, EFX COVER, RIGHT SIDE	76

44527-108	ASSY, EFX COVER, LEFT SIDE, SP	77
44479-101	ASSY, FRONT PANEL, EFX COVER, REAR	78
43707-102	SUPPORT, REAR COVER,CHARCOAL GRAY	79
43840-101	WEDGE, REAR COVER, EFX,CHARCOAL GRA	80
45252-035	ASSY,CBL,2C,PWR JACK/.08 RECP,35"	84
43179-103	BACKPLATE, DISPLAY, COMMERCIAL, CHA	85
11406-101	FOOT, LEVELER	86
37534-102	FOOT, ADJUSTABLE	87
38305-102	FOOT,FRAME,MOLDED	88
44480-102	ASSY, TOP PANEL, EFX COVER, REAR	90
41650-502	BATTERY, PAD, 3.25 X 2.0 X 3/16 THI	91
43702-504	WHEEL, COVER, 556, PT	92
12264-101	RJ-45 TELEPHONE JACK PLUG	101
39029-501	ASSY,CABLE,TOUCHSENSOR	154
PGKN016-050	SCREW,S/T,#8X1/2,TRS,PHIL,BLK	155
MGCN013-025	SCREW,MCH,6-32X1/4,PANHD,PHIL,	158
44954-013	ASSY,CBL,HHR TO DISPLAY,13"	159
10123-102	CABLE TIE, 3-7/8 LONG,WHITE,NYL	160
10115-113	O-RING, ROUND, 1.25ID X .139	176
42713-102	HHR SENSOR, TOP	177
42714-102	HHR SENSOR,BOTTOM	178
42730-101	PLUG, HHR, HANDLE BAR END	179
47342-040	ASSY, CABLE, HHR PCA TO GRIP, W/SH	180
TCNN016-075	SCREW, BTHD, 8-32X.75,SS	181
43175-104	COVER, CLAMP, UPPER,CHARCOAL GRAY	182
43176-103	COVER, CLAMP, LOWER,CHARCOAL GRAY	183
43177-101	GROMMET, CLAMP COVER	184
47718-102	HOLE PLUG, PLASTIC .875 X.13-.18	190
CAKN025-088	SCREW,SKHD,1/4-20X7/8,BLK ZN,LK	201
WPNN026-003	WASHER, FLAT, .255 X .468 X .029, S	202
10136-103	CLIP,U TYPE, TINNEMAN, 1/4-20	252
50583-101	CS KIT, FOOT PEDAL PLUG, EFX, 12 PC	270
CCNN025-050	SCREW,SKHD,1/4-20 X0.50,SS,LK	276
CCNN031-063	SCREW,SKHD, 5/16-18 X 5/8, SS,LK	277
CCNN031-200	SCREW,SKHD,5/16-18X2,SS,LK	278
KADN031-016	LOCKNUT,HALF,5/16-18,CAD PLT	279
WPNN031-007	WASHER,ID=5/16,OD=688,THK=.065	280
WPNN038-008	WASHER,FLT,5/16X.875X.104,SS	281
TCNN031-050	SCREW,BTHD,5/16-18, 1/2,SS	282
WAGNN062-001	WASHER, WAVE, .87 OD X .62 ID	283
ABHN017-001	RING, RETAINER, EXTERNAL	284
44512-101	ASSY, LINK, SECONDARY, PLASTIC	285
10114-101	CAP, PLASTIC, BLACK	301
10123-107	CABLE TIE, 8.39 LONG,	302
ABHN017-001	RING, RETAINER, EXTERNAL	303
11278-101	CABLE CLAMP,INSERT	305
12240-101	CLAMP, CABLE	306
43106-102	ENDCAP, RAMP, C556,CHARCOAL GRAY	307
43232-501	LABEL,CAUTION PINCH POINTS	308
43798-102	SHAFT, PIVOT BLOCK, C5X6-NC	309
11311-101	ENDCAP, REC TUBE, BLACK PLASTIC, 50	310

10178-107	BUSHING, SNAP	312
44403-101	WELDMENT, RAMP SUPPORT, PT	313
45254-040	ASSY,CBL,3C,18AWG,MINIFIT/QK DISC	315
45334-010	ASSY,CBL,18AWG,FLAG QC CONN,10"	316
CAKN031-100	SCREW,SKHD,5/16-18X1,BLK ZN,LK	317
CAKN038-200	SCREW,SKHD,3/8-16X2,BLK ZN,LK	318
CCNN031-088	SCREW,SKHD,5/16-18X7/8,SS,LK	319
HJCN031-175	SCREW,HEX,5/16-18X1.75 ,ZINC,FULLY	320
KGCN031-027	LOCKNUT,STARWASHER,5/16-18,1/2	321
KGCN038-033	LOCKNUT, STARWASHER, 3/8-16	322
KMCN031-023	NUT, HEX, 5/16-18, ZINC	323
PKCN019-050	SCREW,S/T,#10X1/2,WSHHXHD,ZN	324
PMKN016-088	SCREW,TCS,#8X7/8,PHIL,BLK ZN,TYPE 2	325
PNKN025-050	SCREW,PANHD,PHIL,TYPEF,1/4-20X.5,BZ	326
TFKN025-075	SCREW,BTHD,1/4-20X3/4,BLK ZN	327
WAGNN062-001	WASHER, WAVE, .87 OD X .62 ID	328
WBKN038-007	WASHER, FLT, 3/8, ID=.406, BLK ZN	329
WBANN034-013	WASHER,FLAT,ID=1 1/32,OD3/4,TH=.125,	330
WPNN031-007	WASHER,ID=5/16,OD=688,THK=.065	331
PFKN019-100	SCREW,S/T,#10X1,PANHD,PHIL,BLK ZN	332
43294-101	SCREW, SHOULDER	349
WNNN032-009	WASHER,FLT, .321X1.00X.090 THK	351
HTKT008-018	BOLT,SHIMANO CRANK,M8X18MM, NYLK	352
WRCN038-011	WASHER,GRADE 8,3/8,13/32 ID,13/16OD	353
KGCN038-033	LOCKNUT, STARWASHER, 3/8-16	354
37385-101	BRACKET, TENSIONER	355
37855-103	TAB, LOCKING	356
HACN025-250	SCREW,1/4-20X2-1/2,HEX,GR 2,ZN	357
11278-101	CABLE CLAMP,INSERT	358
PKCN019-050	SCREW,S/T,#10X1/2,WSHHXHD,ZN	360
12289-806	SPCR,SELFRETAIN,NYLN,#8(M-4),3/8"	361
44966-102	PLATE,CHARGER CONNECTOR,SP, EFX	401
MGKN013-025	SCREW,MCH,6-32X1/4,PANHD,PHIL,	402
12103-101	CLAMP,CABLE,VINYL COATED	451
47098-026	ASSY,CBL, HIGH TEMP, 600V,	452
47098-036	ASSY,CBL, HIGH TEMP, 600V,	453
DECN019-038	SCREW,SEMS,#10-32X.375,PHIL,	454
KHCN019-013	LOCKNUT, STARWASHER, 10-32,	455
PGKN016-050	SCREW,S/T,#8X1/2,TRS,PHIL,BLK	456
45910-101	TAB, BATTERY BRACKET, SELF-POWERED	457
KGCN025-020	LOCKNUT,STARWASHER,1/4-20,ZN	458
47098-031	ASSY,CBL, HIGH TEMP, 600V,	459
47098-027	ASSY,CBL, HIGH TEMP, 600V,	460
PMKN016-050	SCREW,TCS,#8X1/2,PHIL,BLK ZN,TYPE25	461
12103-101	CLAMP,CABLE,VINYL COATED	462
10379-109	GROMMET, 49/64 OD, 1/4 ID	463
KNCN019-013	NUT,HEX,10-32,ZINC	464
43294-101	SCREW, SHOULDER	501
43439-102	CAP, NEEDLE SHAFT	502
43390-502	KIT,HARDWARE,C556	901
10186-101	WRENCH, ALLEN, 5/32	902

10186-102	WRENCH, ALLEN, 1/4	903
10186-107	WRENCH, ALLEN, 7/32	904
CCNN031-088	SCREW,SKHD,5/16-18X7/8,SS,LK	905
WPNN038-008	WASHER,FLT,5/16X.875X.104,SS	906
TFKN025-075	SCREW,BTHD,1/4-20X3/4,BLK ZN	907
TAKN025-100	SCREW,BTHD,1/4-20X1,BLK ZN	908
TCNT038-075	SCREW, BTHD,3/8-16X.75, SS	909
44956-103	LITERATURE KIT,C556,SELF PWR	999